

# SM26



**SERIES:**

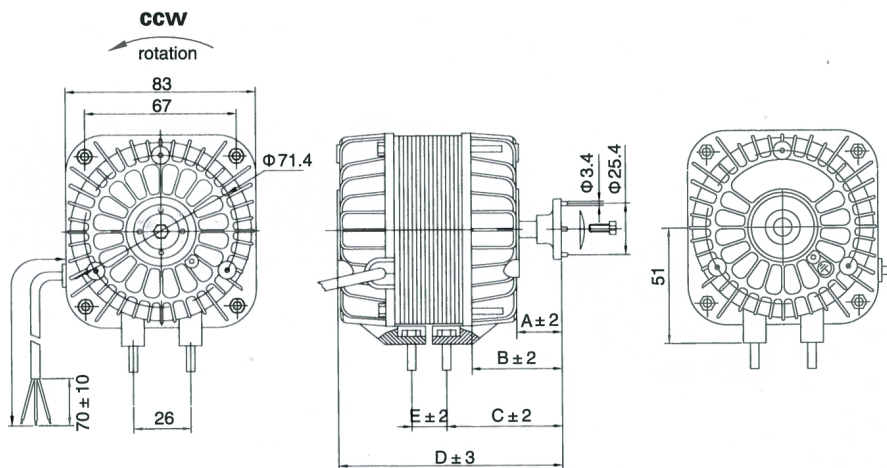
26 Series

**DESCRIPTION:**

Voltage: 100 ~120 V - 50/60Hz  
 220 ~240 V - 50/60Hz  
 Output power: from 5W to 34W  
 Protection: IP 42 (IP44 on request)  
 Duty cycle: Continuous operating (S1)  
 Insulation Class: B  
 Protection Class: Class I  
 Operating Temperature: -30°C ~ 50°C  
 Bearing Type: Sleeve Bearing  
 Life expectancy: 20.000 hours

**Technical Drawing**

Unit:mm



Output power	A	B	C	D	E
5W	16.5	35.5	46	81	-
6W	16.5	35.5	46	87	-
10W	16.5	35.5	46	87	-
16W	15.5	34.5	45	92	-
18W	15.5	34.5	45	92	-
18W*	18	38	48.5	101	21
25W	19	39	49.5	112	31
34W	23	43	53.5	121	36

**Specifications**

Model	Rated Voltage	Frequency	Rated Current	Input Power	Output Power	Speed	Air Volume	Fan Blade	Weight
	VAC	Hz	A	W	W	RPM	m <sup>3</sup> /h	mm	Kg
FL-SM5-26	220/240	50/60	0.20	29	5	1300	455	Ø 200	0.08
FL-SM6-26	110/120	60	0.55	33	6	1550	510	Ø 200	0.08
FL-SM10-26	220/240	50/60	0.25	36	10	1300	650	Ø 230	1.1
	110/120	60	0.80	55	10	1550	800		
FL-SM16-26	220/240	50/60	0.45	60	16	1300	760	Ø 254	1.4
FL-SM18-26	110/120	60	1.01	70	18	1550	940	Ø 254	1.4
FL-SM18-26*	220/240	50/60	0.50	70	18	1300	1000	Ø 254	1.5
FL-SM25-26	220/240	50/60	0.70	90	25	1300	1030	Ø 300	1.8
FL-SM34-26	220/240	50/60	0.85	110	34	1300	1210	Ø 300	2.0

1. Specifications might change without notice;

2. Special design on request