

Shop » Spine, prese e adattatori » Spine prese americane



## CONNETTORE IEC C19 FEMMINA 20A,16A 250VAC A VITE

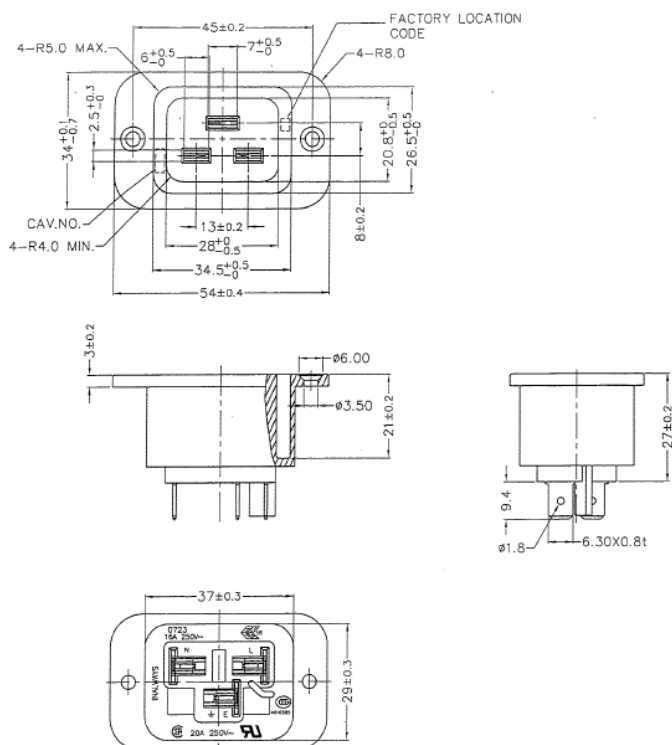
EN60320 C19  
T 70°C  
20A – 250 VAC (UL-CSA)  
16A – 250 VAC (ENEC-CCC)  
CORPO: TERMOPLASTICA UL94V-0

COD: **0723-CW**

COD PRODUTTORE: **0723-C**

MARCA: **INALWAYS**

### DISEGNO



### SPECIFICATION

- A: MATERIAL:  
1. HOUSING: PBT WITH GLASS FIBER UL 94V-0  
2. TERMINAL: COPPER ALLOY, TIN PLATED
- B: CHARACTERISTICS:  
1. RATING: 16A 250V~ EUROPE  
20A 250V~ NORTH AMERICA  
2. INSULATION RESISTANCE, ELECTRIC STRENGTH,  
MOUNTING TORQUE STRENGTH (∅3 SCREW) PER  
APPROVAL SHEET
- C: APPROVALS:  
UL, CSA, ENEC & CCC

### SPECIFICHE

Tensione (V)	Terminali	Modello	Montaggio	Corrente Nominale	Tipologia
250V AC	Faston 6.3	C19	A vite	20A	Presca