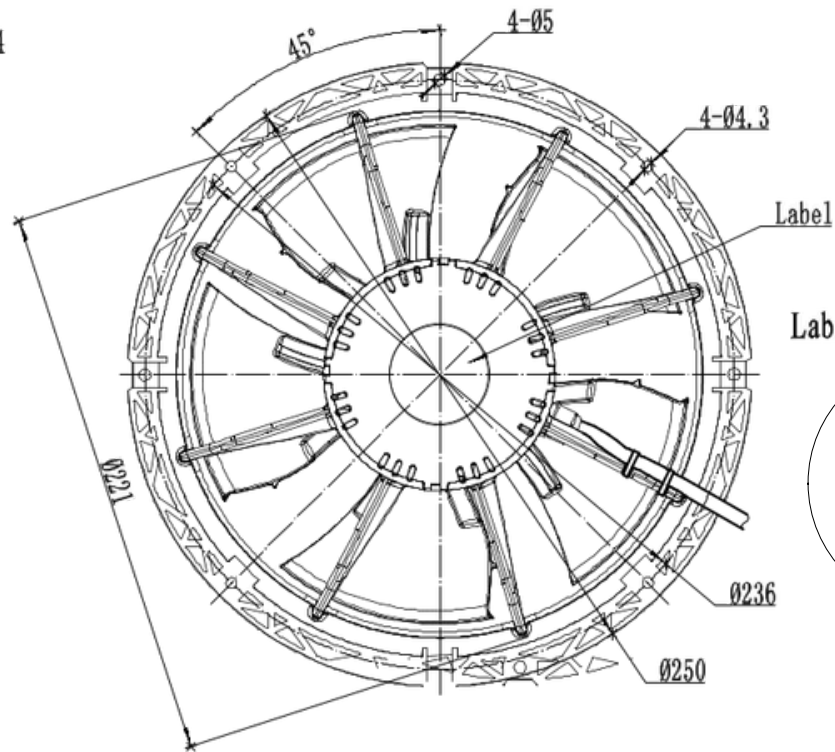
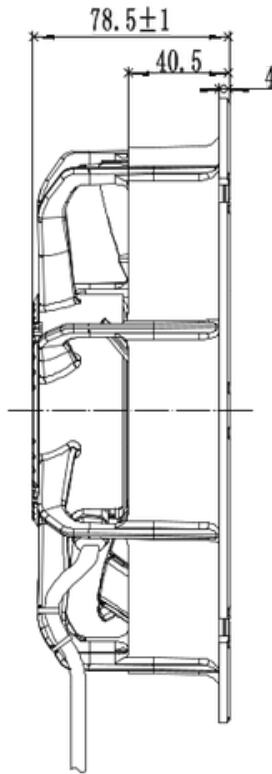
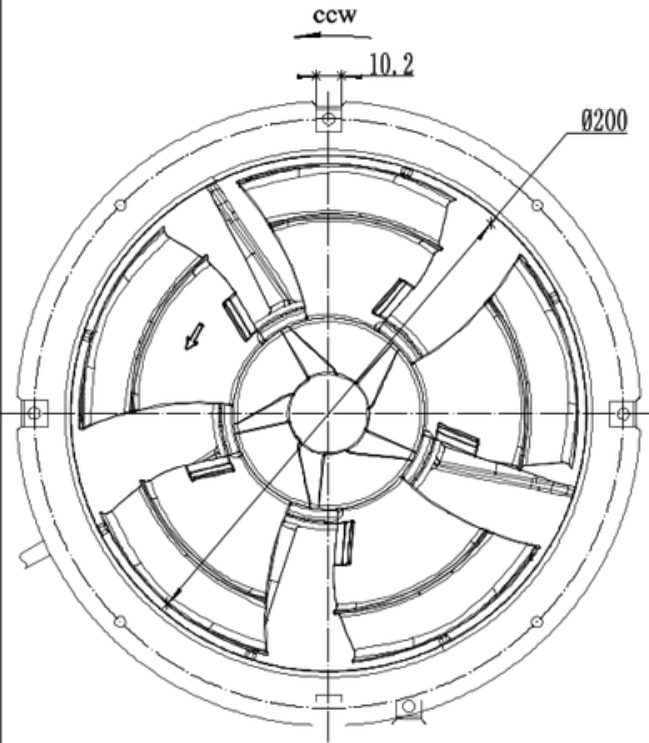
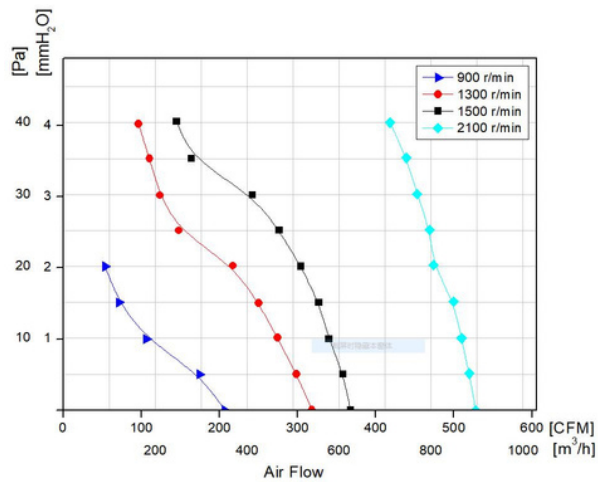
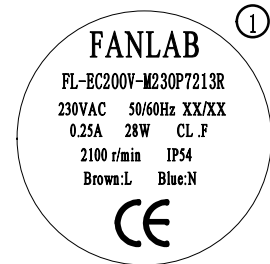


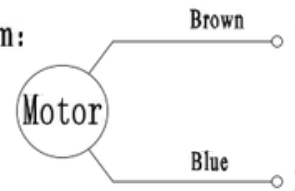
Type	Rated voltage(V)	Frequency(Hz)	Input current(A)	Input power(W)	Rated speed(r/min)	Max Air flow(m³/h)	Noise(dBA)	Perm.amb.temp(°C)
FL-EC200V-M230P7213R	230VAC	50/60	0.25	28±10%	2100	850±10%	≤62	-30~+50



Label:



Wiring diagram:



Rev.A1	2024.01.11	①				Hangzhou Weiguang Electronic CO.,LTD.		
Mark	Number	Partition	Change the file number	Signature	Date	ECM+ energy-saving fan		
Design		2023.02.06	Standardization			Phase marker	Weight	Proportion
Examine								1:1
Technology			Approval			Total 1 piece	Article 1 piece	FL-EC200V-M230P7213R